



# INSTALLATION INSTRUCTIONS

Accessory

SWITCH PLATE with USB Charger  
P/N 0SA30-HL6-A10

Application

SXS1000S2X/S2XD/S2R/  
S2RD/S4X/S4XD

Publication No.

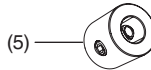
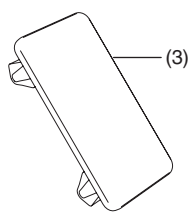
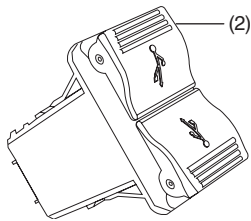
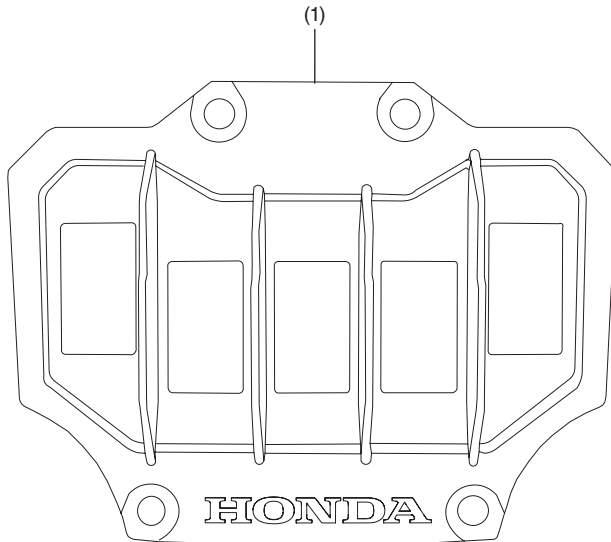
MII 17811

Issue Date

May 2022

**Honda Dealer: Please give a copy of these instructions to your customer.**

## PARTS LIST



No.	Description	Qty
(1)	Switch plate	1
(2)	USB port	1
(3)	Blank plate	4
(4)	Trim clip	4
(5)	Drill stop	1

## TOOLS AND SUPPLIES REQUIRED

Power drill

5/16 inch (8 mm) drill bit

38 mm or 1 1/2" hole saw bit

Pencil

## USE AND CARE INFORMATION

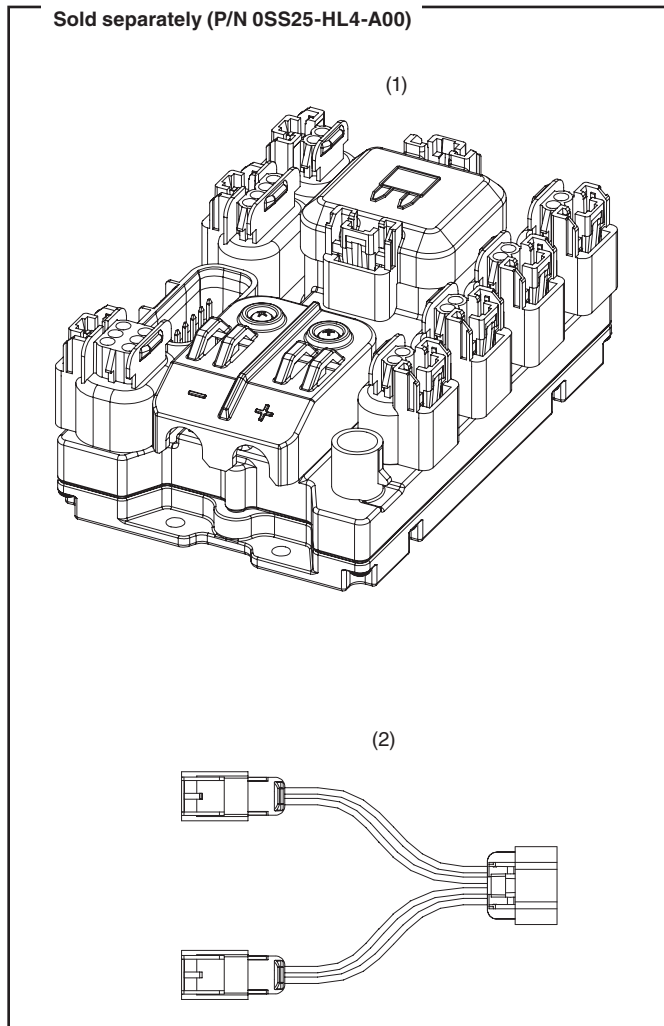
- Check the accessory mount frequently and retighten if necessary.
- Replace this accessory with a new one if it is damaged or discolored excessively.
- When this accessory becomes dirty, rinse it thoroughly with cool water to remove loose dirt, then wipe with a clean cloth or sponge.
- Do not use a brush to clean this accessory as it may scratch the surface.
- Never clean with or expose this accessory to petroleum solvents such as gasoline, thinner, benzene, acid, or alkaline cleaners.

## REQUIRED ACCESSORIES

The items below are required for the installation of this accessory.

### Fuse Box

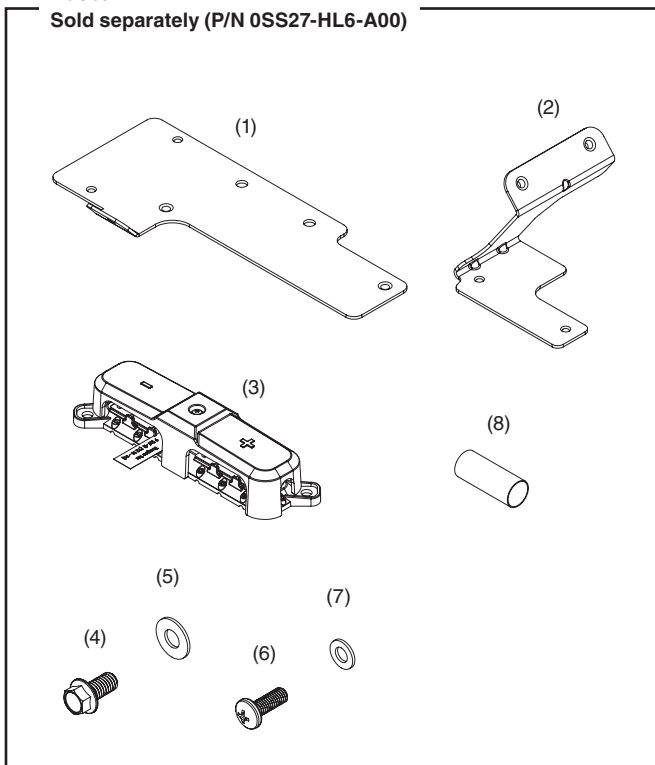
Sold separately (P/N 0SS25-HL4-A00)



No.	Description	Qty
(1)	Fuse box switcher	1
(2)	Harness, 4-pin to 2-pin (Y-splitter)	1

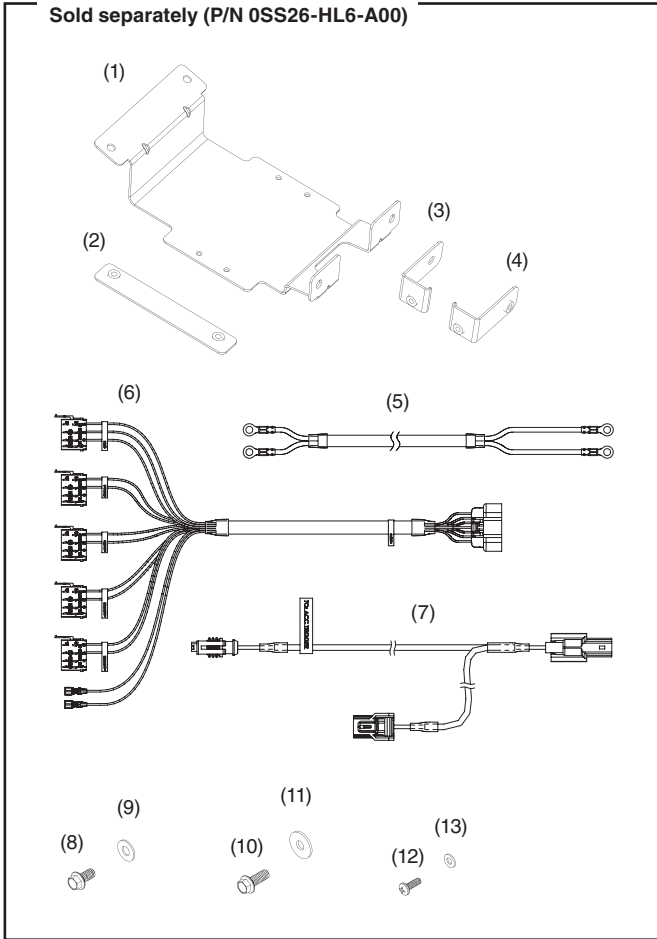
### Busbar

Sold separately (P/N 0SS27-HL6-A00)



No.	Description	Qty
(1)	Main busbar mounting plate	1
(2)	Busbar lower support bracket	1
(3)	Busbar	1
(4)	M6 x 12 mm flange screw (8 mm head)	4
(5)	M6 x 14 mm flat washer	4
(6)	Phillips pan-head screw M5 x 14 mm	2
(7)	M5 x 10 mm flat washer	2
(8)	Heat shrink	2

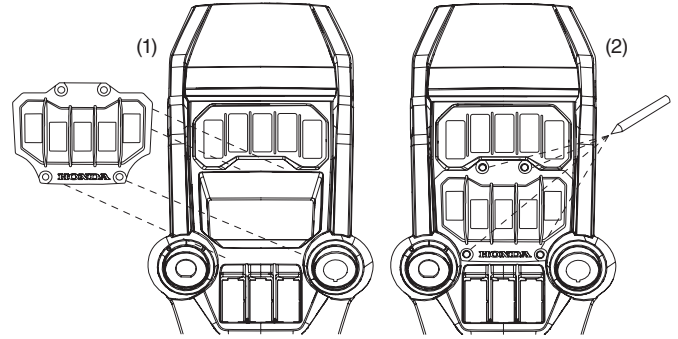
**Fuse Box Mount Kit**  
**Sold separately (P/N OSS26-HL6-A00)**



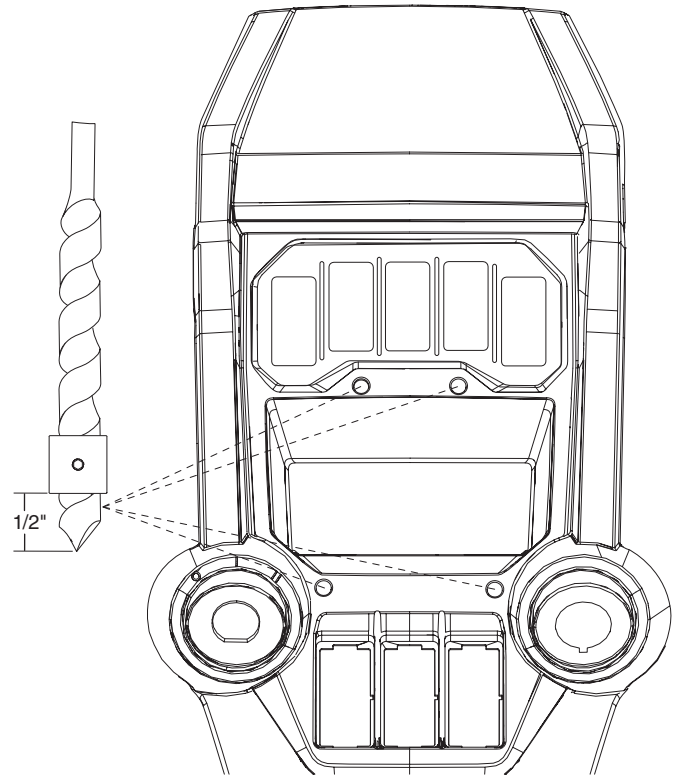
No.	Description	Qty
(1)	Fuse box mounting plate	1
(2)	Front under bracket	1
(3)	Driver side L-bracket	1
(4)	Passenger side L-bracket	1
(5)	Input power cables	1
(6)	Switch wiring harness	1
(7)	Accessory trigger cable	1
(8)	8 mm hex head M6 flange screw, 12 mm long	4
(9)	M6 flat washer, 14 mm o.d.	4
(10)	8 mm hex head M6 flange screw, 16 mm long	2
(11)	M6 flat washer, 18 mm o.d.	2
(12)	M4 x 0.7 phillips screw, 12 mm long	4
(13)	M4 flat washer	4

**INSTALLATION**

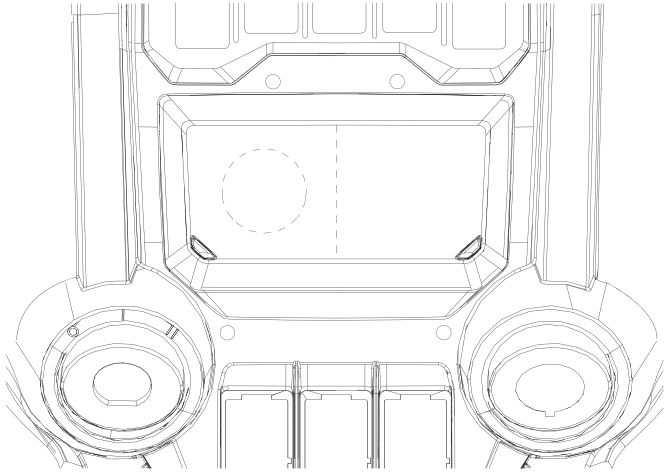
1. Install all required accessories before starting installation.
2. Place the switch plate over the compartment in the center instrument panel.
3. Mark the locations of the four holes onto the center instrument panel with a pencil, then remove the switch plate.



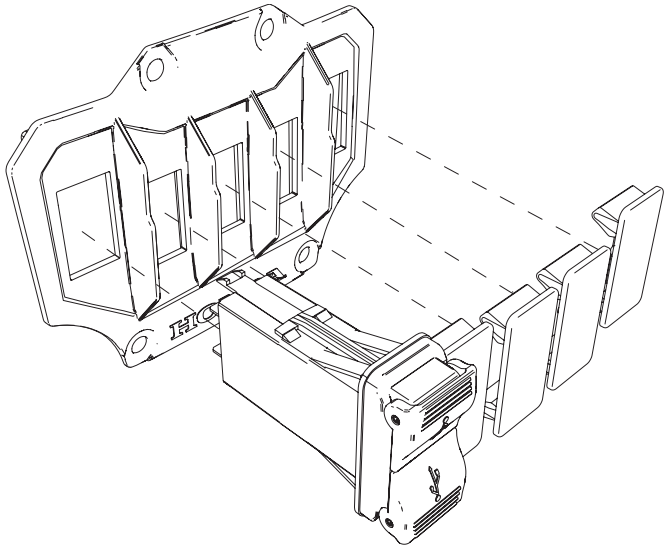
4. Attach the drill stop to an 8 mm or 5/16 inch drill bit 1/2 inch from the tip.
5. Drill a hole in all four locations on the center instrument panel marked in step 1. Do not drill deeper than the drill stop allows.



6. Drill a hole in the back of the center instrument panel compartment using a 38 mm or 1 1/2 inch hole saw bit. Drill the hole in the left half of the instrument panel.

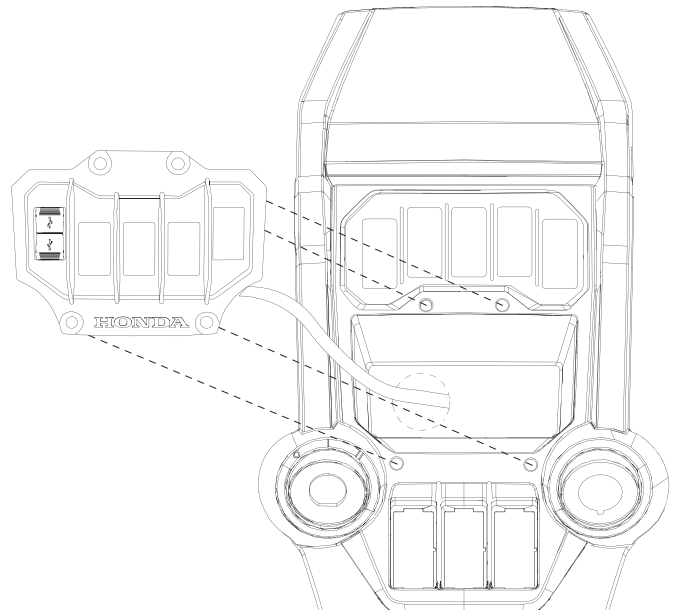


7. Pull the black and red wires from the fuse box switch wiring through the newly drilled hole.
8. Insert the USB port into one of the slots on the switch plate.
9. Insert the blank plates into the other four slots.



10. Connect the wires from step 6 to the back of the USB port, as indicated on the back of the USB port unit.

11. Place the switch plate over the center instrument panel compartment such that the wires thread back through the hole and the USB port faces out.



12. Fix the switch plate in position using four trim clips as shown.

